

Rev. 00

**SERIE S Motore Standard trifase 8 poli**

**SERIES S Standard motors three phase 8 poles**



<b>Codice Code</b>	<b>Alimentazione Power</b>	<b>N° Poli Poles</b>	<b>Kw</b>	<b>Tipo Flangia Flange</b>
S-8JM71B5	230 / 400 V 50Hz	8	0.12	B5 ( M = 130 )
S-8JM71B14	230 / 400 V 50Hz	8	0.12	B14 ( M = 85 )
<b>S-8JM80A5</b>	<b>230 / 400 V 50Hz</b>	<b>8</b>	<b>0.18</b>	<b>B5 ( M = 165 )</b>
<b>S-8JM80A14</b>	<b>230 / 400 V 50Hz</b>	<b>8</b>	<b>0.18</b>	<b>B14 ( M = 100 )</b>
S-8JM80B5	230 / 400 V 50Hz	8	0.25	B5 ( M = 165 )
S-8JM80B14	230 / 400 V 50Hz	8	0.25	B14 ( M = 100 )
<b>S-8JM90S5</b>	<b>230 / 400 V 50Hz</b>	<b>8</b>	<b>0.37</b>	<b>B5 ( M = 165 )</b>
<b>S-8JM90S14</b>	<b>230 / 400 V 50Hz</b>	<b>8</b>	<b>0.37</b>	<b>B14 ( M = 115 )</b>
S-8JM90L5	230 / 400 V 50Hz	8	0.55	B5 ( M = 165 )
S-8JM90L14	230 / 400 V 50Hz	8	0.55	B14 ( M = 115 )
<b>S-8JM100LA5</b>	<b>230 / 400 V 50Hz</b>	<b>8</b>	<b>0.75</b>	<b>B5 ( M = 165 )</b>
<b>S-8JM100LA14</b>	<b>230 / 400 V 50Hz</b>	<b>8</b>	<b>0.75</b>	<b>B14 ( M = 115 )</b>
S-8JM100LB5	230 / 400 V 50Hz	8	1.1	B5 ( M = 215 )
S-8JM100LB14	230 / 400 V 50Hz	8	1.1	B14 ( M = 130 )
<b>S-8JM112M5</b>	<b>230 / 400 V 50Hz</b>	<b>8</b>	<b>1.5</b>	<b>B5 ( M = 215 )</b>
<b>S-8JM112M14</b>	<b>230 / 400 V 50Hz</b>	<b>8</b>	<b>1.5</b>	<b>B14 ( M = 130 )</b>

CONTROL SYSTEMS  
s.r.l.

**CONTROL SYSTEMS s.r.l.**

Via Spitaleri, 1 95027 San Gregorio di Catania ( ITALIA )

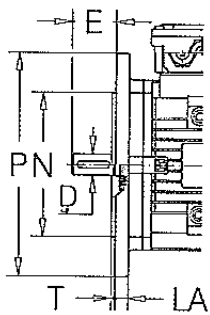
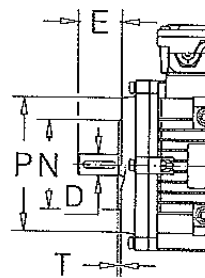
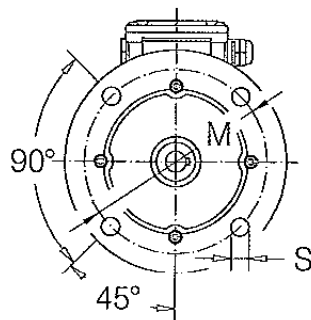
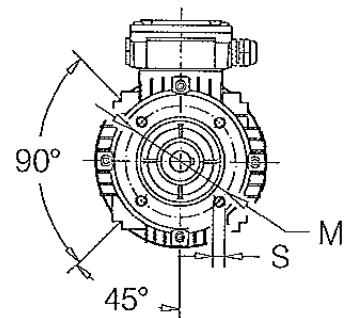
Tel + 39 095 52 46 99 Fax + 39 095 721 33 80 e-mail info@control-systems.it

www.control-systems.it

**SERIE S Motore Standard trifase 8 poli**  
**SERIES S Standard motors three phase 8 poles**



<b>Codice Code</b>	<b>Alimentazione Power</b>	<b>N° Poli Poles</b>	<b>Kw</b>	<b>Tipo Flangia Flange</b>
S-8JM132S5	400 50Hz	8	2.2	B5 ( M = 265 )
S-8JM132S14	400 50Hz	8	2.2	B14 ( M = 165 )
S-8JM132M5	400 50Hz	8	3	B5 ( M = 265 )
S-8JM132M14	400 50Hz	8	3	B14 ( M = 165 )
S-8JM160MA5	400 50Hz	8	4	B5 ( M = 300 )
S-8JM160MA14	400 50Hz	8	4	B14 ( M = 215 )
S-8JM160MB5	400 50Hz	8	5.5	B5 ( M = 300 )
S-8JM160MB14	400 50Hz	8	5.5	B14 ( M = 215 )
S-8JM160L5	400 50Hz	8	7.5	B5 ( M = 300 )
S-8JM160L14	400 50Hz	8	7.5	B14 ( M = 215 )

**B5****B14**

CONTROL SYSTEMS  
s.r.l.