

Rev. 00

SERIE S Motore Standard trifase 6 poli

SERIES S Standard motors three phase 6 poles

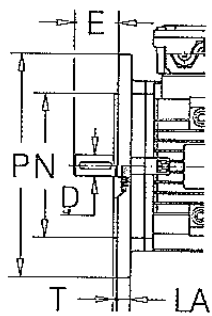
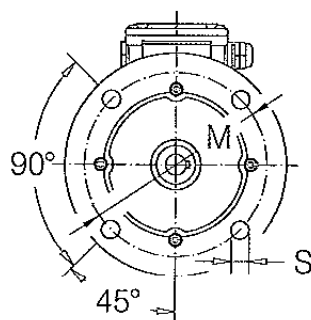
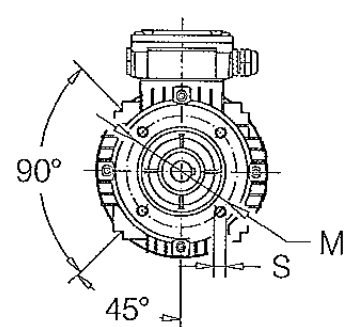
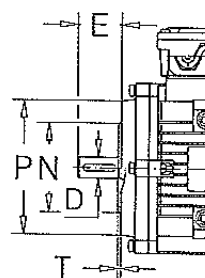


| Codice Code | Alimentazione Power | N° Poli Poles | Kw | Tipo Flangia Flange |
|------------------------|--------------------------------|--------------------------|-------------|--------------------------------|
| S-6JM63B5 | 230 / 400 V 50Hz | 6 | 0.12 | B5 (M = 115) |
| S-6JM63B14 | 230 / 400 V 50Hz | 6 | 0.12 | B14 (M = 75) |
| S-6JM71A5 | 230 / 400 V 50Hz | 6 | 0.18 | B5 (M = 130) |
| S-6JM71A14 | 230 / 400 V 50Hz | 6 | 0.18 | B14 (M = 85) |
| S-6JM71B5 | 230 / 400 V 50Hz | 6 | 0.25 | B5 (M = 130) |
| S-6JM71B14 | 230 / 400 V 50Hz | 6 | 0.25 | B14 (M = 85) |
| S-6JM71C5 | 230 / 400 V 50Hz | 6 | 0.3 | B5 (M = 130) |
| S-6JM71C5 | 230 / 400 V 50Hz | 6 | 0.3 | B14 (M = 85) |
| S-6JM80A5 | 230 / 400 V 50Hz | 6 | 0.37 | B5 (M = 165) |
| S-6JM80A14 | 230 / 400 V 50Hz | 6 | 0.37 | B14 (M = 100) |
| S-6JM80B5 | 230 / 400 V 50Hz | 6 | 0.55 | B5 (M = 165) |
| S-6JM80B14 | 230 / 400 V 50Hz | 6 | 0.55 | B14 (M = 100) |
| S-6JM90S5 | 230 / 400 V 50Hz | 6 | 0.75 | B5 (M = 165) |
| S-6JM90S14 | 230 / 400 V 50Hz | 6 | 0.75 | B14 (M = 115) |
| S-6JM90LA5 | 230 / 400 V 50Hz | 6 | 1.1 | B5 (M = 165) |
| S-6JM90LA14 | 230 / 400 V 50Hz | 6 | 1.1 | B14 (M = 115) |
| S-6JM90LB5 | 230 / 400 V 50Hz | 6 | 1.5 | B5 (M = 165) |
| S-6JM90LB14 | 230 / 400 V 50Hz | 6 | 1.5 | B14 (M = 115) |

SERIE S Motore Standard trifase 6 poli
SERIES S Standard motors three phase 6 poles



| Codice Code | Alimentazione Power | N° Poli Poles | Kw | Tipo Flangia Flange |
|------------------------|--------------------------------|--------------------------|-----------|--------------------------------|
| S-6JM100L5 | 230 / 400 V 50Hz | 6 | 1.5 | B5 (M = 215) |
| S-6JM100L14 | 230 / 400 V 50Hz | 6 | 1.5 | B14 (M = 130) |
| S-6JM112M5 | 230 / 400 V 50Hz | 6 | 2.2 | B5 (M = 215) |
| S-6JM112M14 | 230 / 400 V 50Hz | 6 | 2.2 | B14 (M = 130) |
| S-6JM132S5 | 400 50Hz | 6 | 3 | B5 (M = 265) |
| S-6JM132S14 | 400 50Hz | 6 | 3 | B14 (M = 165) |
| S-6JM132MA5 | 400 50Hz | 6 | 4 | B5 (M = 265) |
| S-6JM132MA14 | 400 50Hz | 6 | 4 | B14 (M = 165) |
| S-6JM132MB5 | 400 50Hz | 6 | 5.5 | B5 (M = 265) |
| S-6JM132MB14 | 400 50Hz | 6 | 5.5 | B14 (M = 165) |
| S-6JM160M5 | 400 50Hz | 6 | 7.5 | B5 (M = 300) |
| S-6JM160M14 | 400 50Hz | 6 | 7.5 | B14 (M = 215) |
| S-6JM160L5 | 400 50Hz | 6 | 11 | B5 (M = 300) |
| S-6JM160L14 | 400 50Hz | 6 | 11 | B14 (M = 215) |

**B5****B14**

s.r.l.