

Rev. 00

**SERIE S Motore Standard trifase 2 poli**  
**SERIES S Standard motors three phase 2 poles**



<b>Codice Code</b>	<b>Alimentazione Power</b>	<b>N° Poli Poles</b>	<b>Kw</b>	<b>Tipo Flangia Flange</b>
S-2JM56B5	230 / 400 V 50Hz	2	0.13	B5 ( M = 100 )
S-2JM56B14	230 / 400 V 50Hz	2	0.13	B14 ( M = 65 )
<b>S-2JM63A5</b>	<b>230 / 400 V 50Hz</b>	<b>2</b>	<b>0.18</b>	<b>B5 ( M = 115 )</b>
<b>S-2JM63A14</b>	<b>230 / 400 V 50Hz</b>	<b>2</b>	<b>0.18</b>	<b>B14 ( M = 75 )</b>
S-2JM63B5	230 / 400 V 50Hz	2	0.25	B5 ( M = 115 )
S-2JM63B14	230 / 400 V 50Hz	2	0.25	B14 ( M = 75 )
<b>S-2JM63C5</b>	<b>230 / 400 V 50Hz</b>	<b>2</b>	<b>0.37</b>	<b>B5 ( M = 115 )</b>
<b>S-2JM63C14</b>	<b>230 / 400 V 50Hz</b>	<b>2</b>	<b>0.37</b>	<b>B14 ( M = 75 )</b>
<b>S-2JM71A5</b>	<b>230 / 400 V 50Hz</b>	<b>2</b>	<b>0.37</b>	<b>B5 ( M = 130 )</b>
<b>S-2JM71A14</b>	<b>230 / 400 V 50Hz</b>	<b>2</b>	<b>0.37</b>	<b>B14 ( M = 85 )</b>
S-2JM71B5	230 / 400 V 50Hz	2	0.55	B5 ( M = 130 )
S-2JM71B14	230 / 400 V 50Hz	2	0.55	B14 ( M = 85 )
<b>S-2JM71C5</b>	<b>230 / 400 V 50Hz</b>	<b>2</b>	<b>0.75</b>	<b>B5 ( M = 130 )</b>
<b>S-2JM71C14</b>	<b>230 / 400 V 50Hz</b>	<b>2</b>	<b>0.75</b>	<b>B14 ( M = 85 )</b>
<b>S-2JM80A5</b>	<b>230 / 400 V 50Hz</b>	<b>2</b>	<b>0.75</b>	<b>B5 ( M = 165 )</b>
<b>S-2JM80A14</b>	<b>230 / 400 V 50Hz</b>	<b>2</b>	<b>0.75</b>	<b>B14 ( M = 100 )</b>
S-2JM80B5	230 / 400 V 50Hz	2	1.1	B5 ( M = 165 )
S-2JM80B14	230 / 400 V 50Hz	2	1.1	B14 ( M = 100 )
<b>S-2JM80C5</b>	<b>230 / 400 V 50Hz</b>	<b>2</b>	<b>1.5</b>	<b>B5 ( M = 165 )</b>
<b>S-2JM80C14</b>	<b>230 / 400 V 50Hz</b>	<b>2</b>	<b>1.5</b>	<b>B14 ( M = 100 )</b>
<b>S-2JM90S5</b>	<b>230 / 400 V 50Hz</b>	<b>2</b>	<b>1.5</b>	<b>B5 ( M = 165 )</b>
<b>S-2JM90S14</b>	<b>230 / 400 V 50Hz</b>	<b>2</b>	<b>1.5</b>	<b>B14 ( M = 115 )</b>
S-2JM90LA5	230 / 400 V 50Hz	2	2.2	B5 ( M = 165 )
S-2JM90LA14	230 / 400 V 50Hz	2	2.2	B14 ( M = 115 )
<b>S-2JM90LB5</b>	<b>230 / 400 V 50Hz</b>	<b>2</b>	<b>3</b>	<b>B5 ( M = 165 )</b>
<b>S-2JM90LB14</b>	<b>230 / 400 V 50Hz</b>	<b>2</b>	<b>3</b>	<b>B14 ( M = 115 )</b>

**SERIE S Motore Standard trifase 2 poli**  
**SERIES S Standard motors three phase 2 poles**

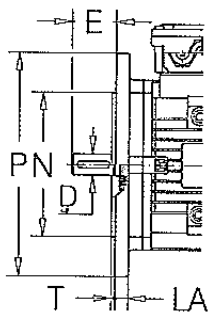


<b>Codice Code</b>	<b>Alimentazione Power</b>	<b>N° Poli Poles</b>	<b>Kw</b>	<b>Tipo Flangia Flange</b>
S-2JM100LA5	230 / 400 V 50Hz	2	3	B5 ( M = 215 )
S-2JM100LA14	230 / 400 V 50Hz	2	3	B14 ( M = 130 )
S-2JM100LB5	230 / 400 V 50Hz	2	4	B5 ( M = 215 )
S-2JM100LB14	230 / 400 V 50Hz	2	4	B14 ( M = 130 )
S-2JM112MA5	230 / 400 V 50Hz	2	4	B5 ( M = 215 )
S-2JM112MA14	230 / 400 V 50Hz	2	4	B14 ( M = 130 )
S-2JM112MB5	230 / 400 V 50Hz	2	5.5	B5 ( M = 215 )
S-2JM112MB14	230 / 400 V 50Hz	2	5.5	B14 ( M = 130 )
S-2JM132SA5	400 50Hz	2	5.5	B5 ( M = 265 )
S-2JM132SA14	400 50Hz	2	5.5	B14 ( M = 165 )
S-2JM132SB5	400 50Hz	2	7.5	B5 ( M = 265 )
S-2JM132SB14	400 50Hz	2	7.5	B14 ( M = 165 )
S-2JM132MA5	400 50Hz	2	9.25	B5 ( M = 265 )
S-2JM132MA14	400 50Hz	2	9.25	B14 ( M = 165 )
S-2JM132MB5	400 50Hz	2	11	B5 ( M = 265 )
S-2JM132MB14	400 50Hz	2	11	B14 ( M = 165 )
S-2JM160MA5	400 50Hz	2	11	B5 ( M = 300 )
S-2JM160MA14	400 50Hz	2	11	B14 ( M = 215 )
S-2JM160MB5	400 50Hz	2	15	B5 ( M = 300 )
S-2JM160MB14	400 50Hz	2	15	B14 ( M = 215 )
S-2JM160LA5	400 50Hz	2	18.5	B5 ( M = 300 )
S-2JM160LA14	400 50Hz	2	18.5	B14 ( M = 215 )
S-2JM160LB5	400 50Hz	2	22	B5 ( M = 300 )
S-2JM160LB14	400 50Hz	2	22	B14 ( M = 215 )
S-2JM200LA5	400 50Hz	2	30	B5 ( M = 350 )
S-2JM200LB5	400 50Hz	2	37	B5 ( M = 350 )
S-2JM225M5	400 50Hz	2	45	B5 ( M = 400 )
S-2JM250M5	400 50Hz	2	55	B5 ( M = 500 )
S-2JM280S5	400 50Hz	2	75	B5 ( M = 500 )
S-2JM280M5	400 50Hz	2	90	B5 ( M = 500 )
S-2JM315S5	400 50Hz	2	110	B5 ( M = 600 )
S-2JM315MA5	400 50Hz	2	132	B5 ( M = 500 )
S-2JM315MB5	400 50Hz	2	160	B5 ( M = 600 )
S-2JM315L5	400 50Hz	2	200	B5 ( M = 500 )

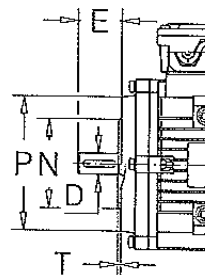
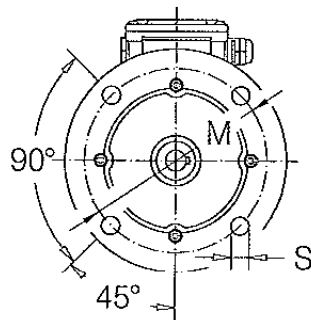
**SERIE S Motore Standard trifase 2 poli**  
**SERIES S Standard motors three phase 2 poles**



<b>Codice Code</b>	<b>Alimentazione Power</b>		<b>N° Poli Poles</b>	<b>Kw</b>	<b>Tipo Flangia Flange</b>
S-2JM355M5	400	50Hz	2	250	B5 ( M = 740 )
<b>S-2JM355L5</b>	<b>400</b>	<b>50Hz</b>	<b>2</b>	<b>315</b>	<b>B5 ( M = 740 )</b>
S-2JM355XA5	400	50Hz	2	355	B5 ( M = 840 )
<b>S-2JM355XB5</b>	<b>400</b>	<b>50Hz</b>	<b>2</b>	<b>400</b>	<b>B5 ( M = 840 )</b>
S-2JM355XC5	400	50Hz	2	450	B5 ( M = 840 )



**B5**



**B14**

