

Rev. 00

**SERIE S Motore Autofrenanti trifase 6 poli**  
**SERIES S Brake motors three phase 6 poles**

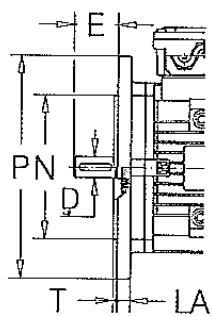
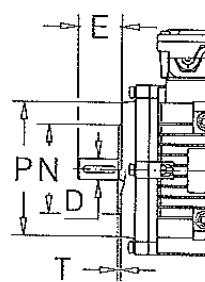
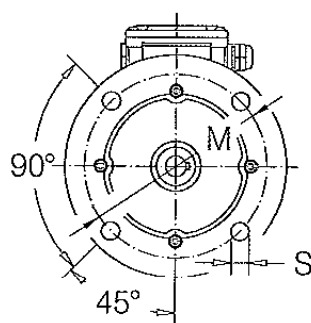


<b>Codice Code</b>	<b>Alimentazione Power</b>	<b>N° Poli Poles</b>	<b>Kw</b>	<b>Tipo Flangia Flange</b>
S-6JMK63B5	230 / 400 V 50Hz	6	0.12	B5 ( M = 115 )
S-6JMK63B14	230 / 400 V 50Hz	6	0.12	B14 ( M = 75 )
<b>S-6JMK71A5</b>	<b>230 / 400 V 50Hz</b>	<b>6</b>	<b>0.18</b>	<b>B5 ( M = 130 )</b>
<b>S-6JMK71A14</b>	<b>230 / 400 V 50Hz</b>	<b>6</b>	<b>0.18</b>	<b>B14 ( M = 85 )</b>
S-6JMK71B5	230 / 400 V 50Hz	6	0.25	B5 ( M = 130 )
S-6JMK71B14	230 / 400 V 50Hz	6	0.25	B14 ( M = 85 )
<b>S-6JMK71C5</b>	<b>230 / 400 V 50Hz</b>	<b>6</b>	<b>0.30</b>	<b>B5 ( M = 130 )</b>
<b>S-6JMK71C14</b>	<b>230 / 400 V 50Hz</b>	<b>6</b>	<b>0.30</b>	<b>B14 ( M = 85 )</b>
S-6JMK80A5	230 / 400 V 50Hz	6	0.37	B5 ( M = 165 )
S-6JMK80A14	230 / 400 V 50Hz	6	0.37	B14 ( M = 100 )
<b>S-6JMK80B5</b>	<b>230 / 400 V 50Hz</b>	<b>6</b>	<b>0.55</b>	<b>B5 ( M = 165 )</b>
<b>S-6JMK80B14</b>	<b>230 / 400 V 50Hz</b>	<b>6</b>	<b>0.55</b>	<b>B14 ( M = 100 )</b>
S-6JMK90S5	230 / 400 V 50Hz	6	0.75	B5 ( M = 165 )
S-6JMK90S14	230 / 400 V 50Hz	6	0.75	B14 ( M = 115 )
<b>S-6JMK90LA5</b>	<b>230 / 400 V 50Hz</b>	<b>6</b>	<b>1.1</b>	<b>B5 ( M = 165 )</b>
<b>S-6JMK90LA14</b>	<b>230 / 400 V 50Hz</b>	<b>6</b>	<b>1.1</b>	<b>B14 ( M = 115 )</b>
S-6JMK90LB5	230 / 400 V 50Hz	6	1.5	B5 ( M = 165 )
S-6JMK90LB14	230 / 400 V 50Hz	6	1.5	B14 ( M = 115 )

**SERIE S Motore Autofrenanti trifase 6 poli**  
**SERIES S Brake motors three phase 6 poles**



<b>Codice Code</b>	<b>Alimentazione Power</b>	<b>N° Poli Poles</b>	<b>Kw</b>	<b>Tipo Flangia Flange</b>
S-6JMK100L5	230 / 400 V 50Hz	6	1.5	B5 ( M = 215 )
S-6JMK100L14	230 / 400 V 50Hz	6	1.5	B14 ( M = 130 )
<b>S-6JMK112M5</b>	<b>230 / 400 V 50Hz</b>	<b>6</b>	<b>2.2</b>	<b>B5 ( M = 215 )</b>
<b>S-6JMK112M14</b>	<b>230 / 400 V 50Hz</b>	<b>6</b>	<b>2.2</b>	<b>B14 ( M = 130 )</b>
S-6JMK132S5	400 V 50Hz	6	3	B5 ( M = 265 )
S-6JMK132S14	400 V 50Hz	6	3	B14 ( M = 165 )
<b>S-6JMK132MA5</b>	<b>400 V 50Hz</b>	<b>6</b>	<b>4</b>	<b>B5 ( M = 265 )</b>
<b>S-4JMK132MA14</b>	<b>400 V 50Hz</b>	<b>6</b>	<b>4</b>	<b>B14 ( M = 165 )</b>
S-6JMK132MB5	400 V 50Hz	6	5.5	B5 ( M = 265 )
S-6JMK132MB14	400 V 50Hz	6	5.5	B14 ( M = 165 )
<b>S-6JMK160M5</b>	<b>400 V 50Hz</b>	<b>6</b>	<b>7.5</b>	<b>B5 ( M = 300 )</b>
<b>S-6JMK160M14</b>	<b>400 V 50Hz</b>	<b>6</b>	<b>7.5</b>	<b>B14 ( M = 215 )</b>
S-6JMK160L5	400 V 50Hz	6	11	B5 ( M = 300 )
S-6JMK160L14	400 V 50Hz	6	11	B14 ( M = 215 )
<b>S-6GMK180L5</b>	<b>400 V 50Hz</b>	<b>6</b>	<b>15</b>	<b>B5 ( M = 300 )</b>
<b>S-6GMK180L14</b>	<b>400 V 50Hz</b>	<b>6</b>	<b>15</b>	<b>B14 ( M = 215 )</b>
S-6GMK200LA5	400 V 50Hz	6	18.5	B5 ( M = 350 )
<b>S-6GMK200LB5</b>	<b>400 V 50Hz</b>	<b>6</b>	<b>22</b>	<b>B5 ( M = 350 )</b>
S-6GMK225M5	400 V 50Hz	6	30	B5 ( M = 400 )

**B5****B14**