

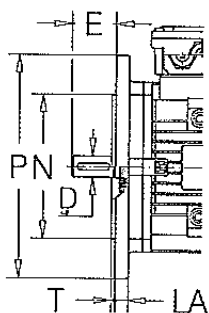
Rev. 00

## SERIE S Motore Asincrono trifase 2 poli

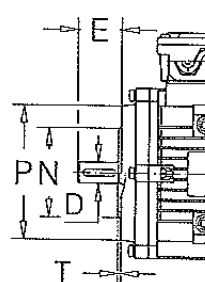
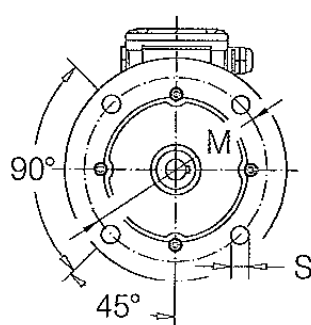
## SERIES S Asynchronous three phase 2 poles motors



<b>Codice Code</b>	<b>Alimentazione Power</b>	<b>N° Poli Poles</b>	<b>Kw</b>	<b>Tipo Flangia Flange</b>
S-2IE280A5	230 / 400 V 50Hz	2	0.75	B5 ( M = 165 )
S-2IE280A14	230 / 400 V 50Hz	2	0.75	B14 ( M = 100 )
<b>S-2IE280B5</b>	<b>230 / 400 V 50Hz</b>	<b>2</b>	<b>1.1</b>	<b>B5 ( M = 165 )</b>
<b>S-2IE280B14</b>	<b>230 / 400 V 50Hz</b>	<b>2</b>	<b>1.1</b>	<b>B14 ( M = 100 )</b>
S-2IE290S5	230 / 400 V 50Hz	2	1.5	B5 ( M = 165 )
S-2IE290S14	230 / 400 V 50Hz	2	1.5	B14 ( M = 115 )
<b>S-2IE290L5</b>	<b>230 / 400 V 50Hz</b>	<b>2</b>	<b>2.2</b>	<b>B5 ( M = 165 )</b>
<b>S-2IE290L14</b>	<b>230 / 400 V 50Hz</b>	<b>2</b>	<b>2.2</b>	<b>B14 ( M = 115 )</b>
S-2IE2100L5	230 / 400 V 50Hz	2	3	B5 ( M = 215 )
S-2IE2100L14	230 / 400 V 50Hz	2	3	B14 ( M = 130 )
<b>S-2IE2112M5</b>	<b>230 / 400 V 50Hz</b>	<b>2</b>	<b>4</b>	<b>B5 ( M = 215 )</b>
<b>S-2IE2112M14</b>	<b>230 / 400 V 50Hz</b>	<b>2</b>	<b>4</b>	<b>B14 ( M = 130 )</b>
S-2IE2132SA5	400 V 50Hz	2	5.5	B5 ( M = 265 )
S-2IE2132SA14	400 V 50Hz	2	5.5	B14 ( M = 165 )
<b>S-2IE2132SB5</b>	<b>400 V 50Hz</b>	<b>2</b>	<b>7.5</b>	<b>B5 ( M = 265 )</b>
<b>S-2IE2132SB14</b>	<b>400 V 50Hz</b>	<b>2</b>	<b>7.5</b>	<b>B14 ( M = 165 )</b>
S-2IE2160MA5	400 V 50Hz	2	11	B5 ( M = 300 )
S-2IE2160MA14	400 V 50Hz	2	11	B14 ( M = 215 )
<b>S-2IE2160MB5</b>	<b>400 V 50Hz</b>	<b>2</b>	<b>15</b>	<b>B5 ( M = 300 )</b>
<b>S-2IE2160MB14</b>	<b>400 V 50Hz</b>	<b>2</b>	<b>15</b>	<b>B14 ( M = 215 )</b>
S-2IE2160L5	400 V 50Hz	2	18.5	B5 ( M = 300 )
S-2IE2160L14	400 V 50Hz	2	18.5	B14 ( M = 215 )



**B5**



**B14**

